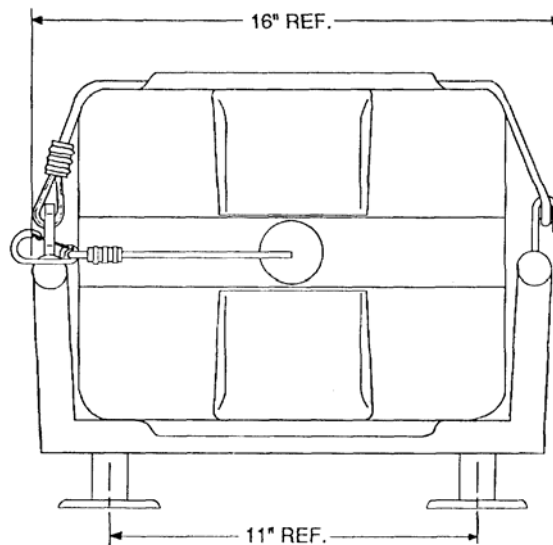
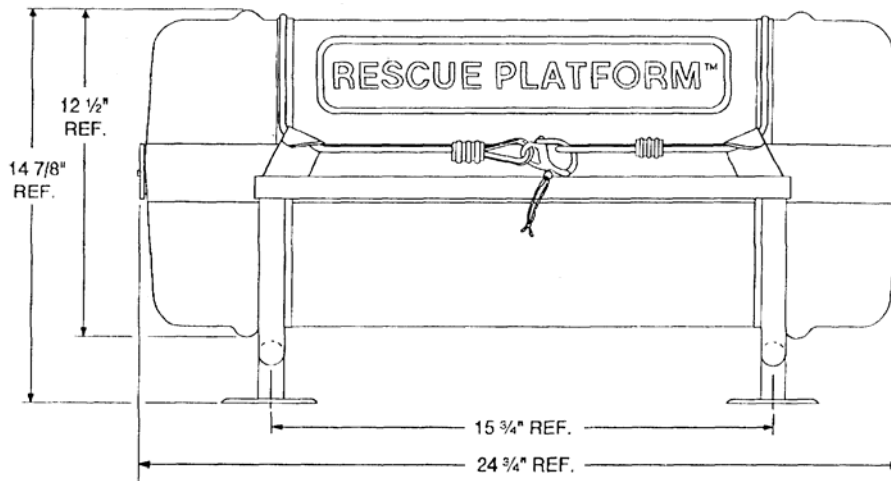




CONTAINER & CRADLE DIMENSIONS
for
10 PERSON CAPACITY MARINE RESCUE PLATFORM
&
4 PERSON CAPACITY RESCUE POD



Use these dimensions for reference only.
Reference Switlik Drawing # S-2232

- SWITLIK PARACHUTE COMPANY -

1325 East State Street - Trenton, N.J. 08609 Phone: (609)-587-3300 Fax: (609)-586-6647

LITERATURE CODE - DWG-MRP-10/POD
WORD <DWG-CONTAINER-MRP-POD> Rev: December 2007