

# OWNER'S MANUAL

## MOM™ 9

MAN OVERBOARD MODULE™  
WITH BUILT-IN LIFTING DEVICE MODEL No.800011

### Table of contents

Page	
1	Description of equipment
2	Installing the MOM9
3	Use of equipment
4	Drawing and specifications
5	Use of equipment (cont. )
5	Maintenance and service
6	Warranty
7	Diagram of mounting hardware

### The MOM™9 Man Overboard Module

The MOM9 consists of a one-person flotation device (raft), a locator pylon and two sea anchors packed in a compact canister. All devices are tethered together and folded in the canister in a specific manner to allow deployment. In a man overboard emergency the equipment is deployed by pulling out the stainless steel pin marked "Pull to Release" on top of the canister. The devices fall clear of the vessel and automatically inflate in a matter of seconds.

The raft and pylon are inflated by small CO<sub>2</sub> cartridges of specific size, gram weight and thread size. The process of falling initiates the inflation sequence by moving a trigger which forces a pin to pierce the CO<sub>2</sub> cartridges. Gravity is the only action required to operate the valves. The MOM9 operates sequentially when deployed; the tray falls away, the sea anchors fall, and the weighted pylon falls into the water and inflates. The raft comes out almost simultaneously with the pylon and both units are inflated in a few seconds.

**The flotation device (raft)**, has 225 pounds of buoyancy when inflated. A lifting harness built into the raft aids in recovery of the person overboard. Records of the inspection and owner's name are noted in a data block on the raft.

**The pylon**, is nearly nine feet in total length, six feet of which is above water. A weighted ballast bag aids in keeping it vertical after inflation. The raft is tethered to the pylon in a high position to aid in keeping the pylon vertical. The pylon is equipped with light reflective panels, an automatic steady-state light which turns on when the pole inflates, CO<sub>2</sub> inflation valve, and an oral inflate/deflate valve. It also has a space for inspection records and the owner's name. The pylon has nearly 30 pounds of buoyancy. The bottom tray is attached to the pylon with 18 inches of line.

**The sea anchors** are specially designed to minimize drifting. There is a wire cable in the mouth of the sea anchors to hold it open. The sea anchors are attached to the raft. Tether lines between the raft, pylon and sea anchors are polypropylene floating line.

The canister is molded polyethylene 1/8" thick. There are three black mounting rails located on the back of the canister. The mounting hardware supplied is attached to the mounting rails and to the stern pulpit. Recesses on the upper sides of the canister are finger holds to make it easy to put on and take off the rail. Located on the top of the canister in the recess is the deployment pull handle. **Under no circumstances other than an actual emergency pull this handle out!**

The **bottom tray** telescopes into the bottom of the Canister. The tray deploys with the inflatables and sea anchors, and is tethered to the pylon.

The **mounting hardware** supplied with every MOM consists of pieces to fit around rails and all necessary stainless steel nuts, bolts and fastpins. The kit allows a wide variety of possible mounting configurations that will suit nearly all vessels. The plastic pieces are glass filled nylon for maximum strength. **They are designed to provide breakaway failure in the event of a severe blow to the unit.** Each "knob" has a breaking strength of approximately 244 pounds.

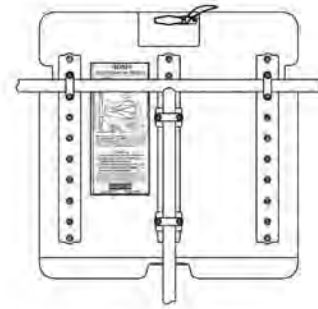
### Installing the MOM9 Aboard your boat

The MOM must be installed vertically, outside the toerail, in a location free of obstructions or possible entanglements. It is critical to the operation of the MOM that there be a clear path between the bottom of the canister and the water to allow the inflatable devices to fall freely without becoming entangled.

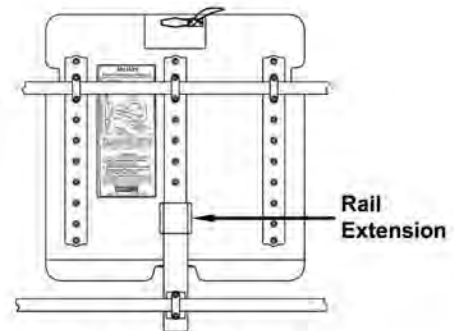
**Do not mount the MOM on lifelines. Under no circumstances drill holes or put screws into the MOM canisters.** On most boats the best location is outboard on the stern pulpit. However, if hull design or fittings on the transom impede the free deployment of the MOM into the water, installation on the quarter is possible. The problem with quarter-mounting is that there is danger of damaging the MOM during maneuvers at the dock.

The ideal location is at the intersections of all vertical and upper horizontal members of the pulpit rail. If your boat is not equipped with conventional tubular stainless steel pulpit, or if the pulpit is set more than a few inches from the toerail, a bracket can be made from wood or metal and secured to the slotted mounting rails on the back of the MOM canister. Attachment must be made by way of the mounting rails regardless of the mounting configuration.

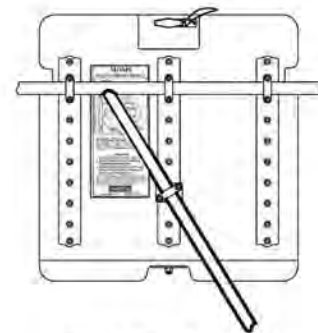
MOM hardware will fit four different diameter rail sizes. Choose the correct fittings for your size rail; 1/4", 1 1/8", 1", or 7/8". Attach the swivel clamp brackets to the rails of the stern pulpit. Moderately tighten all three brackets so they remain in place but can be moved for final adjustment.



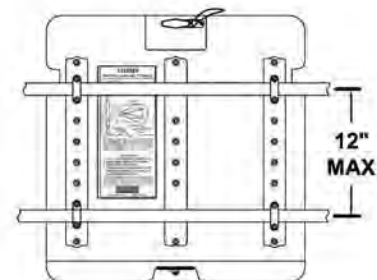
Right angle intersecting rail and stanchion.



Two parallel rails more than 12" apart require an extension rail.



Handrail with angled stanchion.



Two parallel rails.

Mount the blocks to the slotted rails on the back of the canister in the position that matches the location you have chosen on the stern pulpit. Do not mount these in a straight line. The wider you make the spread of the four blocks the more stable your mounting will be.

Slide the canister onto the swivel clamp brackets. Adjust for proper fit. Remove the canister and securely tighten all screws on all four clamp brackets. Re-install the canister and insert fastpins through the bottom of the clamp brackets. **Note:** Four spacer blocks are provided to permit clearance of the toerail. For boats with an abnormally large distance between the upper horizontal and lower horizontal rails a slotted extension strip is available to extend the middle vertical mounting rail 6" ( Part No.840022). The MOM may be easily removed and stored below by removing the four fastpins.

### Installing the Safety Cable

The Safety Cable (P/N 840024) is an optional retaining cable. The normal MOM installation is secure, however, when the canister is mounted on the quarter, the safety cable provides extra retention during vessel/piling interaction.

Mount the spacer onto the vertical rail on the canister just as you would with a spacer (P/N 103029) or a mounting rail adapter (P/N 103030), using the hardware provided.

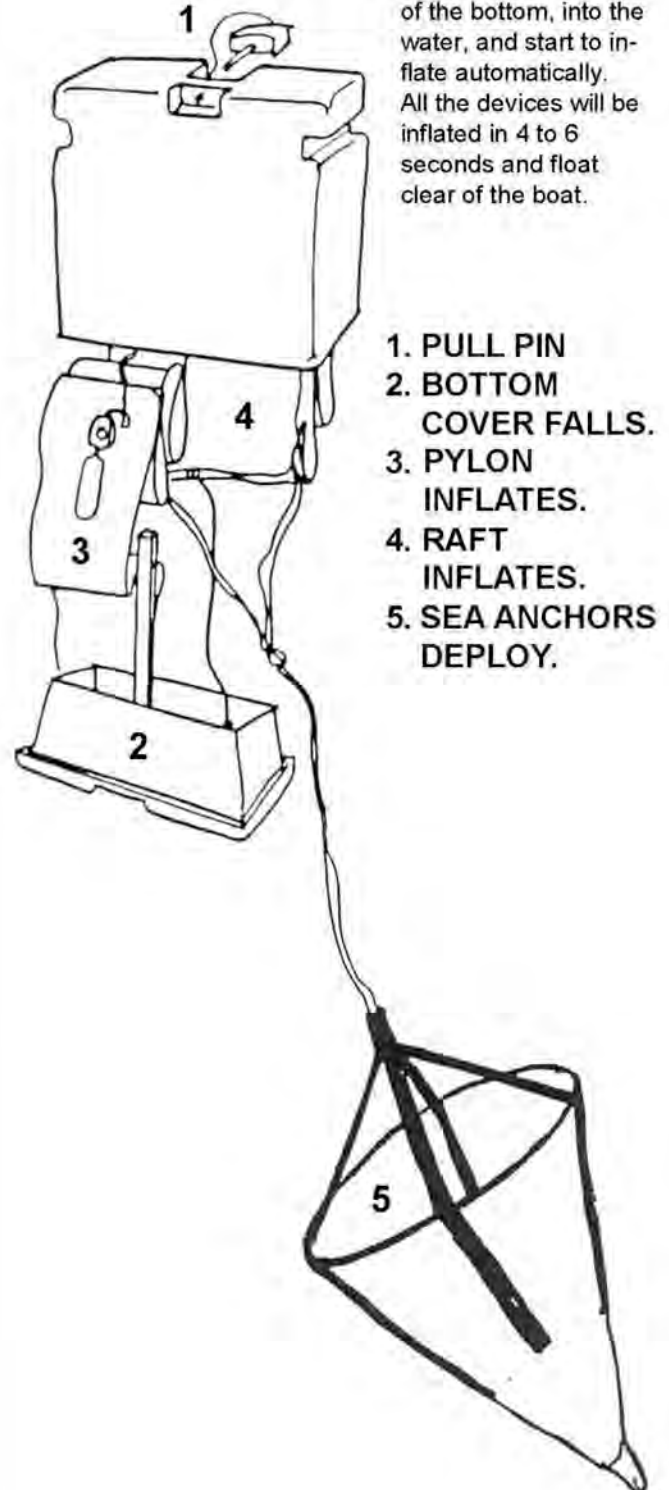
Loop the cable around the stanchion(s), then secure the spring clip to the loop at the other end of the cable.

### Use of equipment

**Explain the MOM to everyone who comes aboard.** In the event of a man overboard emergency every member of the crew must be prepared to act immediately. Although the MOM provides the fastest way to get recovery equipment into the water, actual recovery requires additional action by captain and crew. The captain should drill the crew thoroughly and frequently on the procedures to follow in such an emergency.

As soon as a crewmember sees someone fall overboard he must shout, "**PULL THE MOM! MAN OVERBOARD!**" Immediately, the crewmember nearest the MOM should pull the release pin on top of the canister. The inflatable

equipment will fall out of the bottom, into the water, and start to inflate automatically. All the devices will be inflated in 4 to 6 seconds and float clear of the boat.



MOM9 Specifications

**Canister**

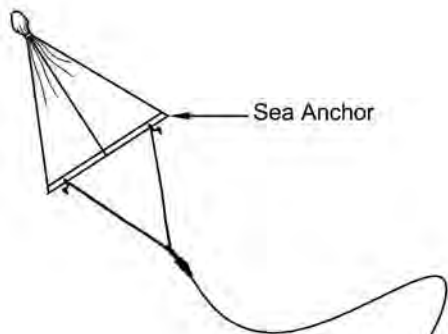
Gross Weight: 34 lbs. packed  
 Material: Polyethylene  
 Color: White  
 Dimensions: 21"H x 17"L x 7"W

**Flotation Device**

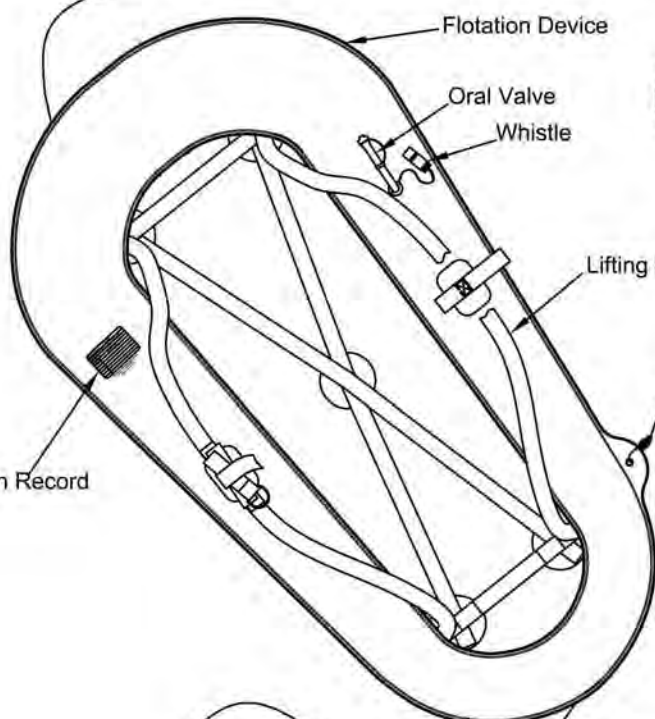
Weight Capacity: 225 lbs.  
 Material: Urethane-coated nylon  
 Color: Yellow  
 Dimensions: 72"L x 37"W (max)  
 CO<sub>2</sub> Inflation: 4 ea. 60 gram cylinders

**Pylon**

Auto-light: 12-hour, steady  
 Material: Urethane-coated nylon  
 Color: Yellow  
 Dimensions: 72" above waterline  
 CO<sub>2</sub> Inflation: 1 ea. 33 gram cylinder



Sea Anchor



Flotation Device

Oral Valve

Whistle

Lifting Harness

Inspection Record



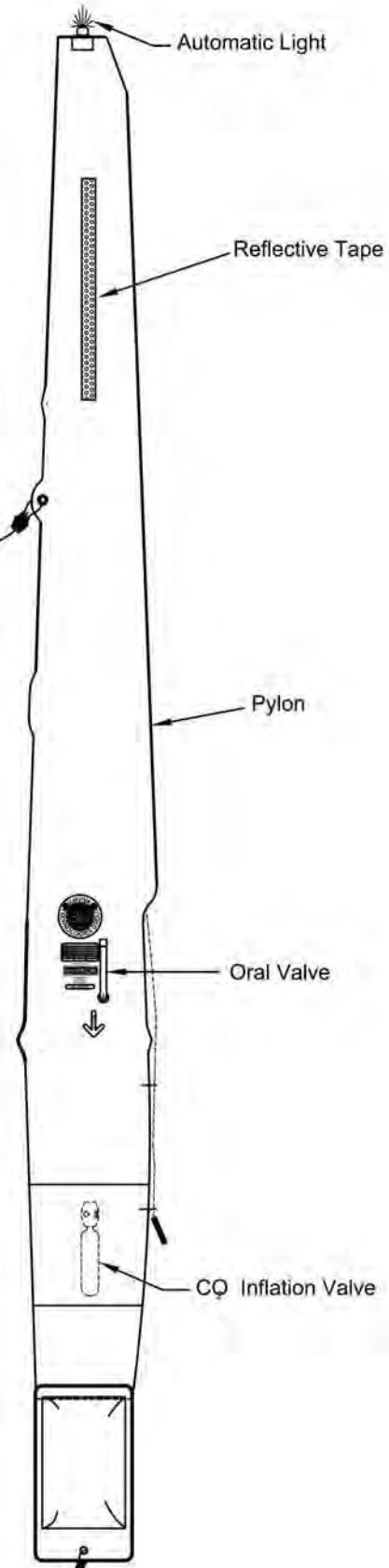
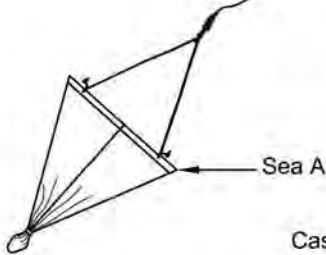
Release Pin

Case

UV Liner

Sea Anchor

Case Bottom Lid



Automatic Light

Reflective Tape

Pylon

Oral Valve

CO<sub>2</sub> Inflation Valve

## Sight and alert

The helmsman should designate a crewmember to sight the person overboard and shout to the crew that he is coming about. Immediately put the boat about causing it to backwind. We recommend that all helmsmen study the Quick-Stop maneuver. Crew members should perform tasks as assigned by the captain such as starting the engine, taking down sails, preparing a heaving line, etc.

## Victim

The person overboard should get to the buoyant MOM devices as quickly as possible. If necessary, turn the raft right-side up. Climb in and remain calm. Avoid exertion.

## Windward versus leeward recovery

Some experienced sailors recommend recovery on the lee side of the boat. From the viewpoint of the person in the water the effort to “back pedal” away from the boat can be exhausting. We recommend windward recovery for nearly every circumstance. Keeping the person in the water to windward has several advantages. The helmsman has the best visibility of the person, and can luff-up to slow the boat instead of having to fall off and gain speed. The victim will not have a fear of being run down by the boat. **The best procedure in any emergency must be determined by the particular situation and there is no simple answer.** Call out to the victim upon approach and ask him if they are OK. **Stop the engine!** A crew member should throw a heaving line to the person. Once pulled in near to the boat, a crewmember should drop the end of the halyard to the victim and they should secure the end to the two D-rings of the lifting harness.

**NOTE: Under no circumstances should the victim leave the buoyant device before being securely attached to the boat. Never put another crewmember overboard to assist a person in the water unless they are wearing a PFD, harness, and are attached by a line to the vessel.**

## Retrieve and Repack

Bring the MOM devices aboard and deflate them via the oral valves by reversing the black dust cap. If possible rinse them with fresh water and allow them to air dry. The MOM must be repacked after use by an authorized Survival Technologies service center, or at the Survival Technologies factory.

## Maintenance and Service

MOM systems are designed to provide long reliable use under severe conditions. However, They require factory authorized inspection and service. First service is to be 24 months from date of manufacture and every 12 months from date of first service. Failure to comply with this requirement not only voids any real or implied warranty, but also means that the MOM may fail to perform as designed.

**IMPORTANT NOTE! It is recommended that the MOM be removed from the rail and stored below if the boat will be moored for extended periods. This is easily accomplished by removing the four fastpins on each swivel mount.**

**Replacement Mounting Kit:** Complete set of 80 pieces including all parts, nuts, bolts, and fastpins, for all MOMs. **Note:** STG cannot supply individual pieces of plastic hardware.

**Extension Rail:** If your horizontal rails are more than 12” apart, you will need this part.



- ESTABLISHED 1920 -



## **WARRANTY**

Effective December 1, 2002

Switlik Parachute Company, Inc. (Switlik). Warrants Survival Technologies Group (STG) Products, supplied by Switlik or its authorized agents, to be free from defects in material and workmanship for a period of Eighteen (18) Months from date of manufacture. If inspection by SPC or its authorized agent confirms defects are covered by this warranty, SPC will replace the product or, provide the materials and labor necessary to correct any such defects. In no event shall SPC be liable for any breach of warranty in an amount exceeding the purchase price of the product.

This warranty shall apply only to the original purchaser and is expressly in lieu of all other warranties, express or implied, including the warranties of merchantability and fitness and no responsibility is assumed for consequential damage nor for damage due to accident, abuse, external force, or lack of reasonable care. No person, firm or corporation is authorized to assume for Switlik Parachute Company, Inc. any other liability in connection with the sale of these items.

**NOTE: Switlik cannot be responsible for the manner or location in which the MOM is mounted on a vessel. Mounting of MOM assembly's on the vessel's stern or quarter, sometimes exposes the unit to extreme forces or pressures due either to rough boarding seas or broaches. Mounting on the vessel's side may expose the unit to damage from dock structures. MOM's are not designed to withstand these forces. Care should also be taken that the unit is not mounted in a location where running rigging could be fouled. Switlik does not warrant the unit for loss under these circumstances.**

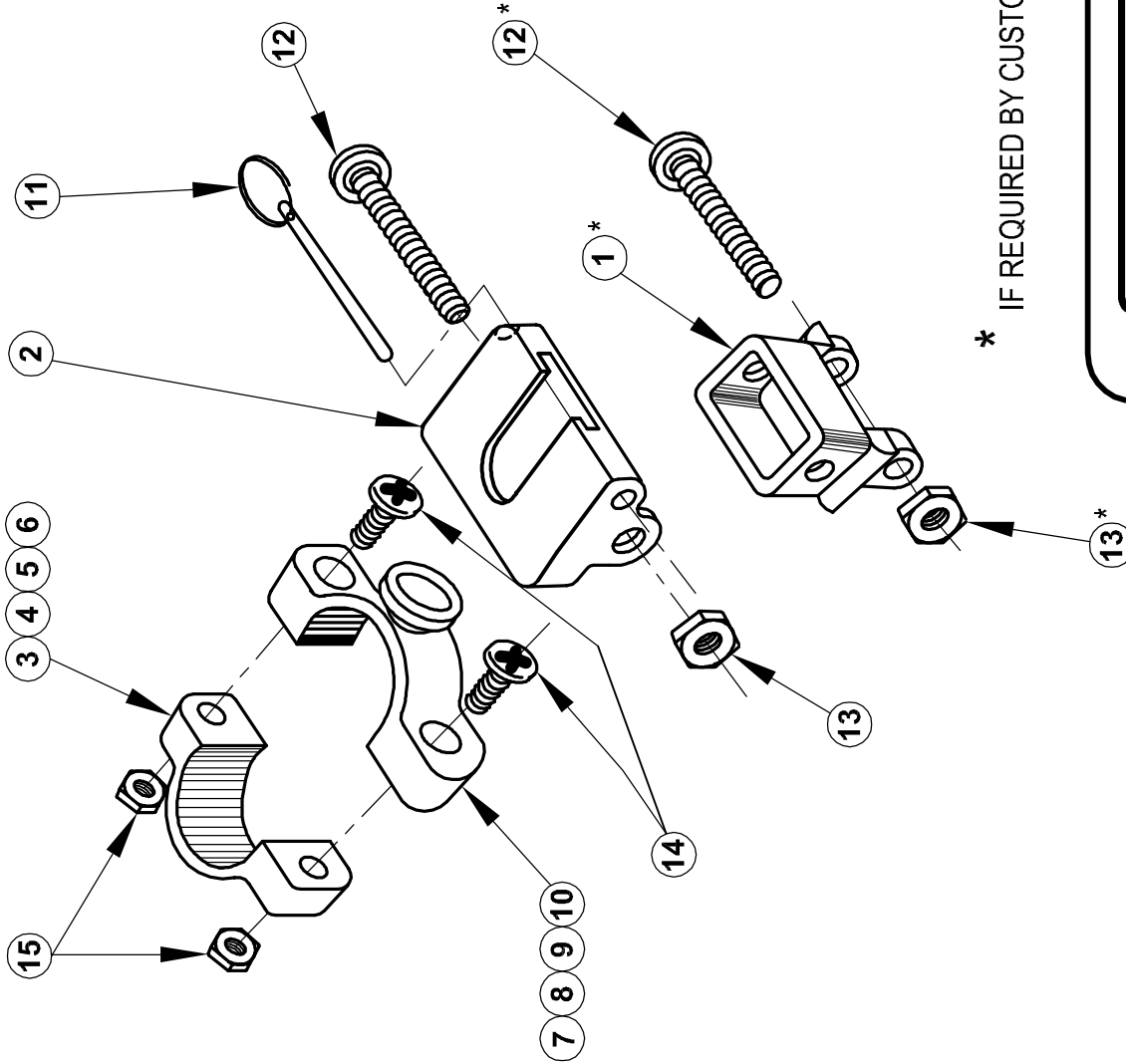


# MOM 9

[KIT No. 800013]

## 4-Point Mounting Hardware Kit

ITEM No.	QTY	DESCRIPTION
1	4	SPACER
2	4	MOUNTING RAIL ADAPTER
3	4	7/8" STANCHION CLIP-BACK
4	4	1" STANCHION CLIP-BACK
5	4	1-1/8" STANCHION CLIP-BACK
6	4	1-1/4" STANCHION CLIP-BACK
7	4	7/8" STANCHION CLIP-FRONT
8	4	1" STANCHION CLIP-FRONT
9	4	1-1/8" STANCHION CLIP-FRONT
10	4	1-1/4" STANCHION CLIP-FRONT
11	4	FASTPIN 3/16" DIA. X 2" LG.SS
12	9	10-32 X 2-7/16" LONG SCREW
13	9	10-32 NUT
14	9	1/4-20 X 3/4 LG. SCREW
15	9	1/4-20 NUT



\* IF REQUIRED BY CUSTOMER



SWITLIK PARACHUTE CO., INC.  
 1325 EAST STATE ST.  
 TRENTON, NEW JERSEY 08607-1328  
 TEL 609.587.3300 - FAX 609.586.6647  
 WWW.SWITLIK.COM

**Switlik Parachute Company**  
1325 East State Street - Trenton, N.J. 08609

Phone: (609)-587-3300 - Fax: (609)-586-6647

Web Site: [www.switlik.com](http://www.switlik.com)

E-Mail: [info@switlik.com](mailto:info@switlik.com)

Revision B: December 6, 2005